

# GSM Antenna

**MODEL: TH-81(T)**

GSM850/GSM900/DCS1800/PCS1900



## 1.. GENERAL DESCRIPTION

Model No	P/N
TH81(T)	TH81T-SMA(M) or TH81T-FME(F)

Below is a table summarizing the antenna design specification.

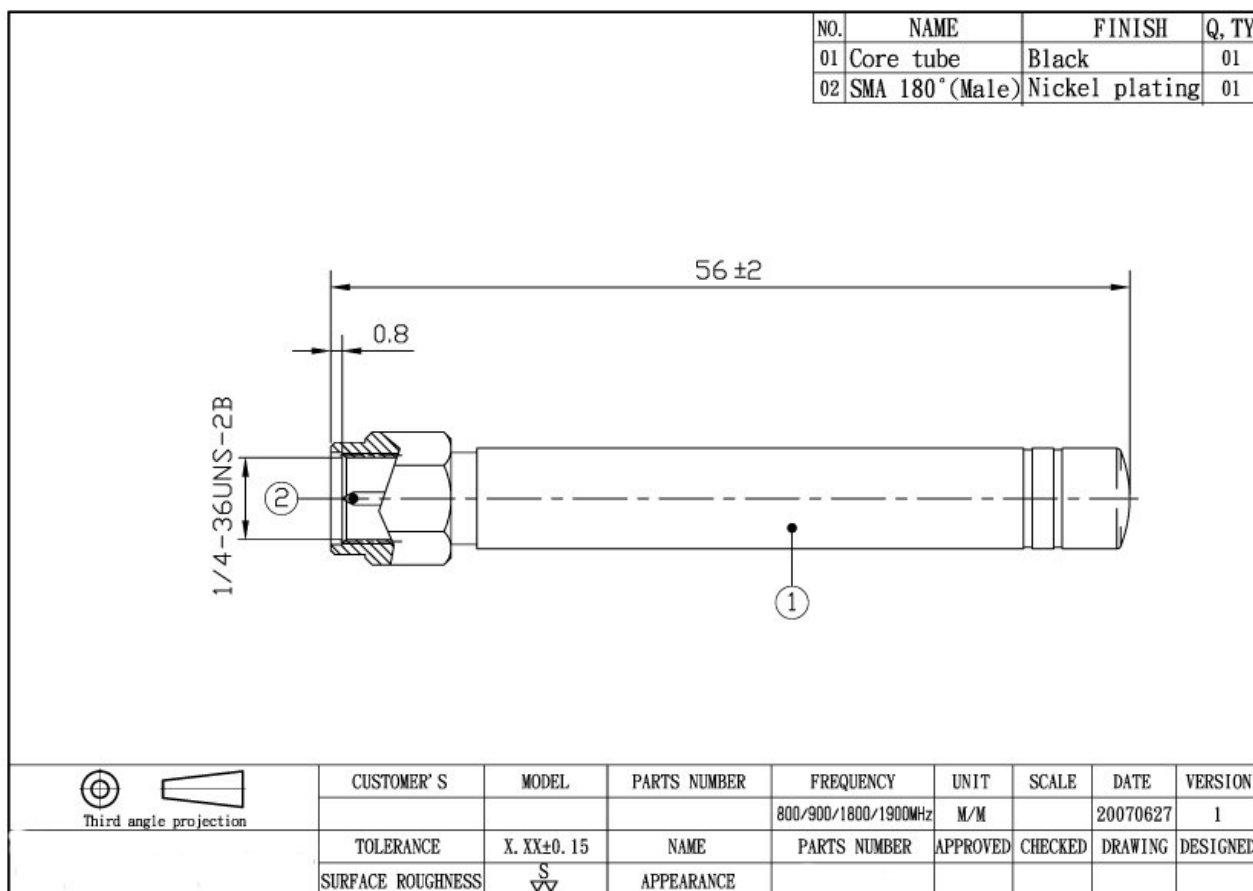
### 1.1 Electrical Properties

Parameter	Description
Frequency Band	800/900/1800/1900MHz
Nominal Impedance	50 ohm
Polarization	Vertical
Electrical Wave	1 /4 $\lambda$
Admitted Power radiation	1W
V.S.W.R	3.1:1
Antenna Average Gain	0 dBi
Note: Gain includes the cable loss	

### 1.2 Mechanical Properties

Parameter	Description
Antenna Type	External Antenna

Material	PVC
Touch Type	Screw Type
Connector Type	SMA 180° (Male)
Antenna Dimensions	SMA : 56mm±2 ; FME: 64mm
Antenna Color	Black
Operating Temperature Range	-20°C~+60°C
Storage Temperature Range	-30°C~+70°C



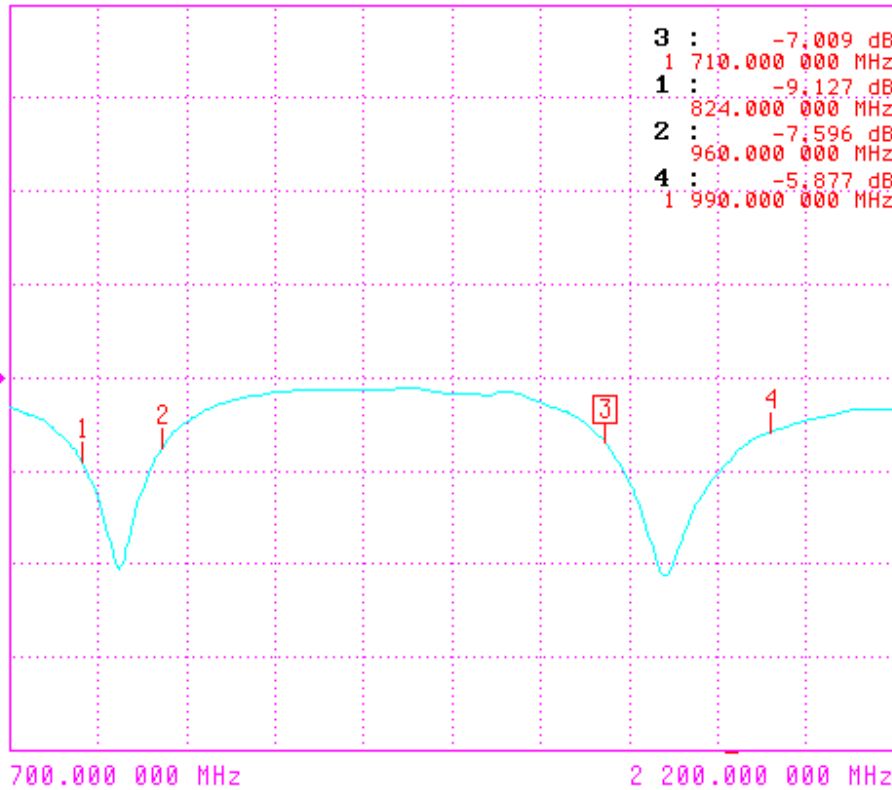
S11 FORWARD REFLECTION

TRANSMISSION/REFLECTION

LOG MAGNITUDE

REF=0.000 dB

10.000 dB/DIV



HARD COPY

OUTPUT DEVICE  
DISK FILE

▶ OUTPUT SETUP

OUTPUT HEADERS  
SETUP

OUTPUT OPTIONS

PAGE ORIENTATION  
PORTRAIT/LANDSCAPE

STOP PRINT

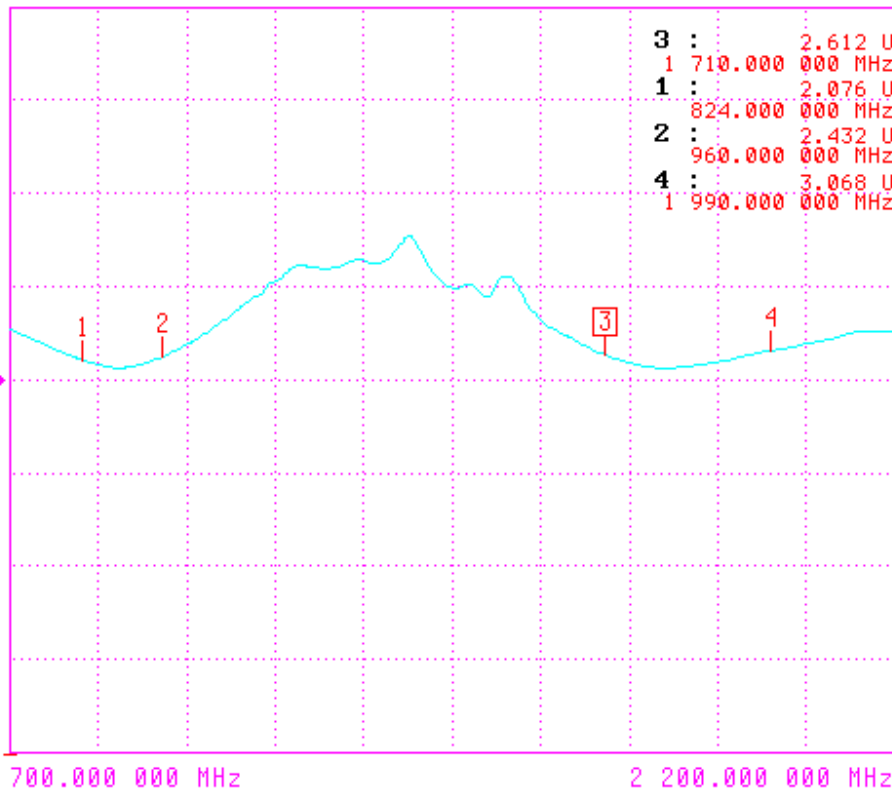
S11 FORWARD REFLECTION

TRANSMISSION/REFLECTION

SWR

REF=0.000 pU

10.000 U/DIV



HARD COPY

OUTPUT DEVICE  
DISK FILE

▶ OUTPUT SETUP

OUTPUT HEADERS  
SETUP

OUTPUT OPTIONS

PAGE ORIENTATION  
PORTRAIT/LANDSCAPE

STOP PRINT

